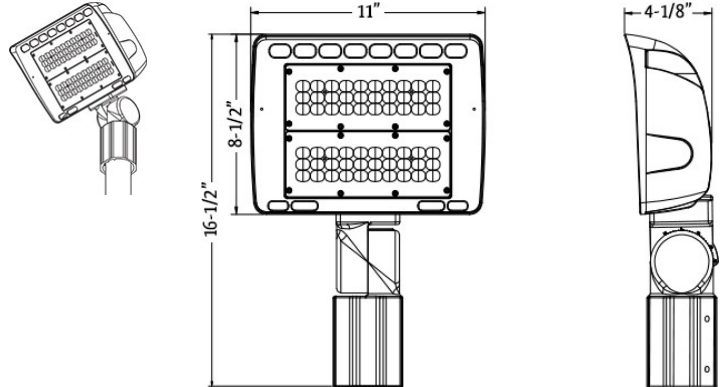




LF4-80CW-SF
LF4-80WW-SF

DIMENSIONS:

8 5/8" (L) x 6" (W) x 3 1/2" (H)



**LF4 ARCHITECTURAL SERIES FLOOD LIGHT
 WITH SLIP FITTER**

MODEL	WATTS	VOLTAGE	LUMENS	COLOR TEMP
LF4-80CW-SF	80W	120~277V AC	9500 LM	5000K
LF4-80WW-SF	80W	120~277V AC	9500 LM	3000K

Ideal for general site lighting, alleys, loading docks, doorway, pathway and parking areas. Great for use with motion sensors or other instant on/off controls.

ELECTRICAL SPECIFICATIONS:

- Voltage: 120-277VAC 50/60Hz
- Wattage: 80W
- Input current: 1A Max
- Other wattages: 12W, 30W, 50W, 100W, 150W
- Power factor: >0.9
- Efficacy: 120LM/W

LIGHTING SPECIFICATIONS:

- Dimmable: 0~10V dimmable
- LED type/brand: Lumileds LEDs / SMD 3030
- Total lumens: 5400LM and 5600LM
- Color temperature: 3000K / 5000K
- Color rendering index: >80
- Beam angle: 90° x 120°

WARRANTY: 7 years

HOUSING SPECIFICATIONS:

- Die-cast aluminum with powder coat finish (Dark Bronze)
- Operating temperature: -40°F ~ 104°F
- Lifespan: 70000 Hrs.
- IP rating: IP65, Wet Locations
- High light transmittance, anti-UV & fire resistant PC lens

CERTIFICATIONS: UL, DLC

